

CYS-HS54B High Silica Braided Wick for E-Cigarette

CYS-HS54B High Silica Braided Wick for E-Cigarette is specially produced for E-cigarette atomizer. It is braided by high silica fiberglass materials. High Silica Braided Wick for E-Cigarette is a kind of flame retardant environmental friendly material, which characterizes high temperature resistance, good oil absorption, no toxic, no odor, long life working, etc.



Product Features

- ★ High oil absorption
- ★ Guide oil well
- ★ No odor
- ★ Smoke easily
- ★ No harm to human body
- ★ Uniform thickness
- ★ High temperature resistance

Type of glass	High silica
Product code	CYS-HS54B
Diameter (mm)	1.0, 1.5, 2.0, 2.5, 3.0, 3.5, 4.0

Application

Especially for E-cigarette atomizer. It is also used as banding and heat electric material in hair drier, fan heater, electric oven, and other electrothermal appliances.

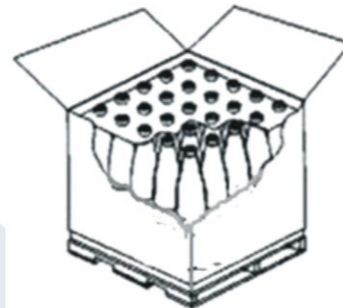
Technical Parameters

Soften Point	Content of SiO ₂	Linear Density	High temperature shrinkage rate	Structure
1700°C	≥96%	±5%	<4%	Braid

Packaging

Carton length (mm)	540
Carton width (mm)	460
Carton height (mm)	280

Other packing can be made upon clients' requests.



Storage

High Silica Braided Wick should be stored in its original packaging in a dry and cool place. Best Conditions are at temperatures from 15 to 35°C and humidity between 35 and 65%. To ensure safety and avoid damage to the product.



Tel: +86-28-84400953
Fax: +86-28-84528597
Cell phone: +86-13908045028

Email: liyibin@169chem.net info@169chem.net
MSN: liyibinle@hotmail.com info@169chem.net
http: //www.169chem.net



CYS-HS54B 电子烟专用耐高温纤维编织绳

CYS-HS54B电子烟专用耐高温纤维编织绳由特种玻璃纤维原丝编织而成, 并经过高温烧结处理, 专用于电子烟配件、雾化器等电子烟产品的补强材料。电子烟专用耐高温纤维编织绳具有良好吸油和导油性、耐高温、无异味、使用寿命长、阻燃、环境友好等特点。



产品特性

- ★ 吸油率高
- ★ 导油性好
- ★ 安全无毒
- ★ 轻松使用
- ★ 对人体没有伤害
- ★ 粗细均匀
- ★ 耐高温

满足ROHS6项测试要求

产品型号	CYS-HS54B
直径 (mm)	1.0, 1.5, 2.0, 2.5, 3.0, 3.5, 4.0

应用

专用于电子烟配件、雾化器等, 也可以用于保险丝, 电吹风、暖风机等电热电器的阻丝的紧固绑扎耐压耐温管的绝缘补强材料。

技术参数

软化点	SiO ₂ 含量	线密度	热收缩率	结构
1700°C	≥96%	±5%	<4%	编织

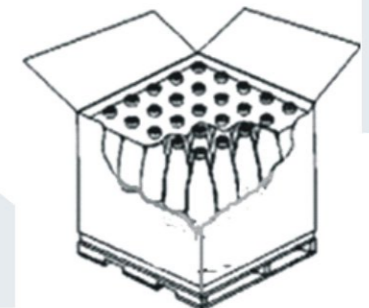
包装

纸箱长度 (mm)	540
纸箱宽度 (mm)	460
纸箱高度 (mm)	280

可应客户要求设计其他包装。

存储

在没有特殊要求的情况下, 电子烟专用耐高温纤维编织绳应贮存在干燥、凉爽的地方, 防止受潮, 产品在使用前应始终保存在原包装内。建议保持室内温度平衡, 最佳贮存条件为15~35°C, 湿度35~65%。为确保安全, 避免损坏产品, 托盘的堆码高度不应超过三层。当堆放两层或三层高时, 要求正确地、平稳地移动上面的托盘。



电话: +86-28-84400953
传真: +86-28-84528597
手机: +86-13908045028

邮箱: liyibin@169chem.net info@169chem.net
MSN: liyibinle@hotmail.com info@169chem.net
网址: //www.169chem.net

